



WESEM



additional lamps

Ø 183

2HO chrom

*halogen fog and driving lights
chrome-plated housing*

generous light

watertightness IP55

additional parking light

Construction and parameters

Application

Particularly designed for trucks and off-road vehicles.

Detailed information

Construction:

- metal reflector
- plastic housing - chromium plated
- glass lens
- stone guard made of plastic
- mounting bracket
- anti-shock bracket
- wiring with seal, tipped with F2,5 and A2,5 terminals
- parking light bulb holder
- main bulb (optional)

Lens colour

Driving lights are manufactured with clear or blue lens.

Additional features

The plastic grip is steel-reinforced. Mounting and adjustment system permits easy and accurate 3D aiming. Equipped with additional parking light. Lamp body and metal mounting bracket are galvanized with three coats of metal (Cu-10 µm, Ni-20 µm, Cr-1 µm).

Other versions

Also available 2HO type halogen lights with black plastic housing.

Bulbs

Fit bulb type:
H3 12V 55W-100W
or H3 24V 70-100W
T4W 12V or 24V (BA9s cap)

Additional equipment

Some versions come with a full lens cover (catalogue number A.25476), which emphasizes styling, extend working life and protect from accidental damage.

Replacement parts

Parking light bulb holder
- catalogue number A.05921.
Stone guard
- catalogue number A.37600.

Parameters

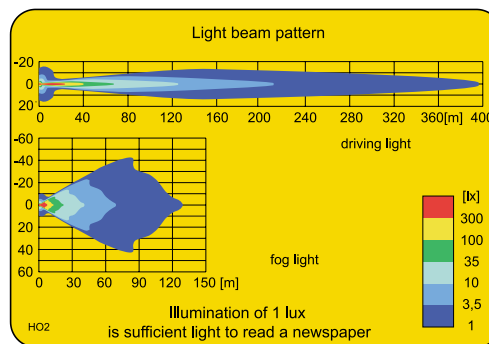
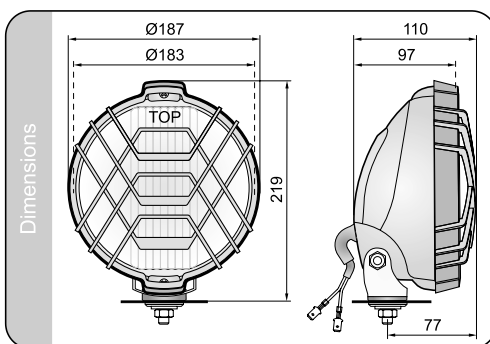
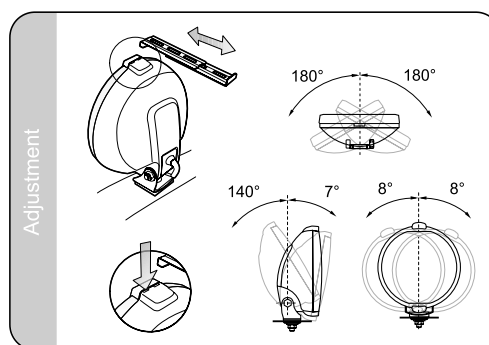
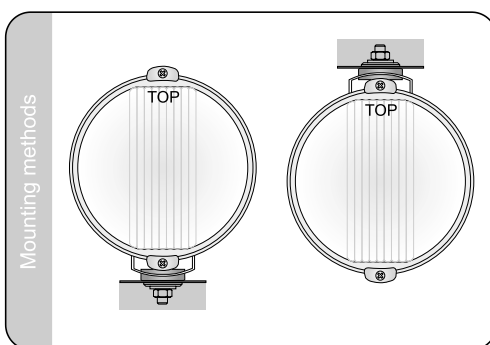
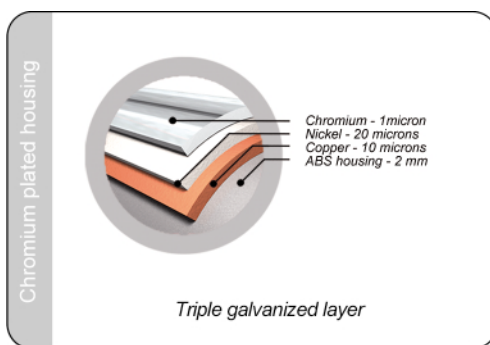
Watertightness IP55.
The driving light guide number which specifies the light's maximum candle power is 40 (it is about 200 lx within distance of 25 m).

Mounting methods

Can be mounted on a vehicle as vertically standing or pendent mounting.

Cat. number	Homolog. code	Light function			Lens colour		Housing		Accessories		Application		Mounting		Side		Packaging/ pc				
		fog light	driving light	parking light	clear	blue	black	chrome-plated	bulb H3 12V	bulb H3 24V	stone guard	wire	universal	dedicated	bracket	bumper cavity spoiler / front grill	right	left	right / left	blister pack	carton box
2HO.15060.C	149	•	•		•			•			•										1
2HO.15461.C	149	•	•		•			•			•										1
2HO.35761.C	149	•	•		•			•			•										1
2HO.15260.C	151		•	•	•			•			•										1
2HO.15661.C	151		•	•	•			•			•										1
2HO.35661.C	151		•	•	•			•			•										1
2HO.40060.C	151		•	•	•			•			•										1
2HO.23161.C	151		•	•	•			•			•										1
2HO.26861.C	151		•	•	•			•			•										1

Homologation code means identifier of certification number.



- headlamps
- additional lamps
- work lamps
- special lamps
- signalling lamps
- bicycle lamps
- accessories