

WESEM



work lamps

LOR6 FF

*fits H3 bulb
Ø 84*

compact

many versions

watertightness IP66

Halogen work lamps - round

LOR6 FF

Construction and parameters

Application

Work lamps are used to illuminate working space near vehicles, tractors, slow-moving machines and any other places where 12V power is available.



General information

All metal parts are galvanized with a generous zinc coating to ensure corrosion resistance.

The metallic coating is treated with silicone varnish and silicon for protection.

Detailed information

Construction:

- metal reflector
- black plastic housing
- glass lens
- wiring, connector tipped
- bulb (option)

Additional features

Lamp construction enables easy bulb replacement without lamp removal from the body.

Bulbs

Fit bulb type:
H3 12V 55W

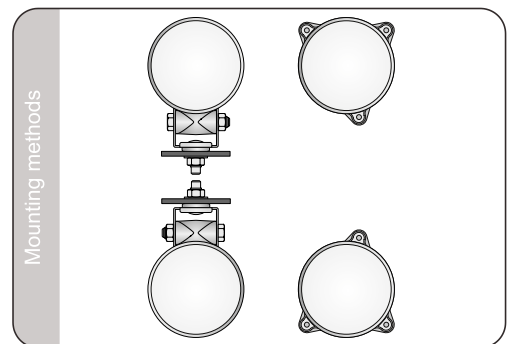
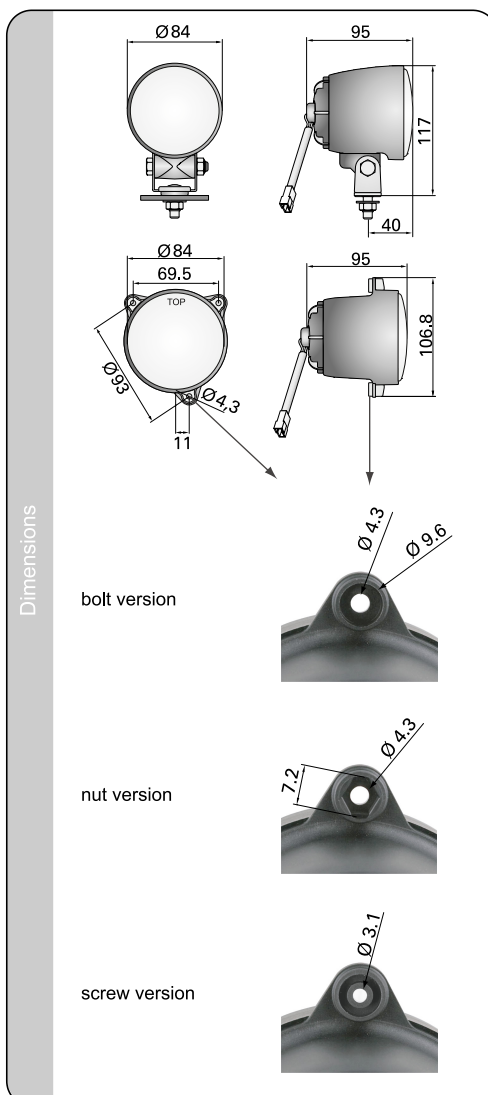
Recommendation

Do not use over 55W bulbs.

Parameters

Watertightness IP66.

Cat. number	Type			Lens		Accessories				Application			Fastening			Packaging / pc		
	H3	F2	P21W	glass	polycarbonate	bulb H3 12V	wire	shock absorber	omega type bracket	connector	universal	designed for	bracket	bolt version	screw version	nut version	blister pack	carton box
LOR6.41551	•			•			•			•	•		•					1
LOR6.41552	•			•		•	•			•	•		•					1
LOR6.41561	•			•			•			•	•			•				1
LOR6.41562	•			•		•	•			•	•			•				1
LOR6.41563	•			•			•			•	•				•			1
LOR6.41564	•			•		•	•			•	•				•			1
LOR6.41565	•			•			•			•	•					•		1
LOR6.41566	•			•		•	•			•	•					•		1



WESEM

Zakład Produkcyjny „WESEM” Sp.J.
Poland, 32-020 Wieliczka, ul. Grottgera 4
tel. +48 12 2781295 fax +48 12 2786966
www.wesem.com, e-mail: biuro@wesem.com

WESEM produces

- headlamps
- additional lamps
- work lamps
- special lamps
- signalling lamps
- bicycle lamps
- accessories



571 4.0